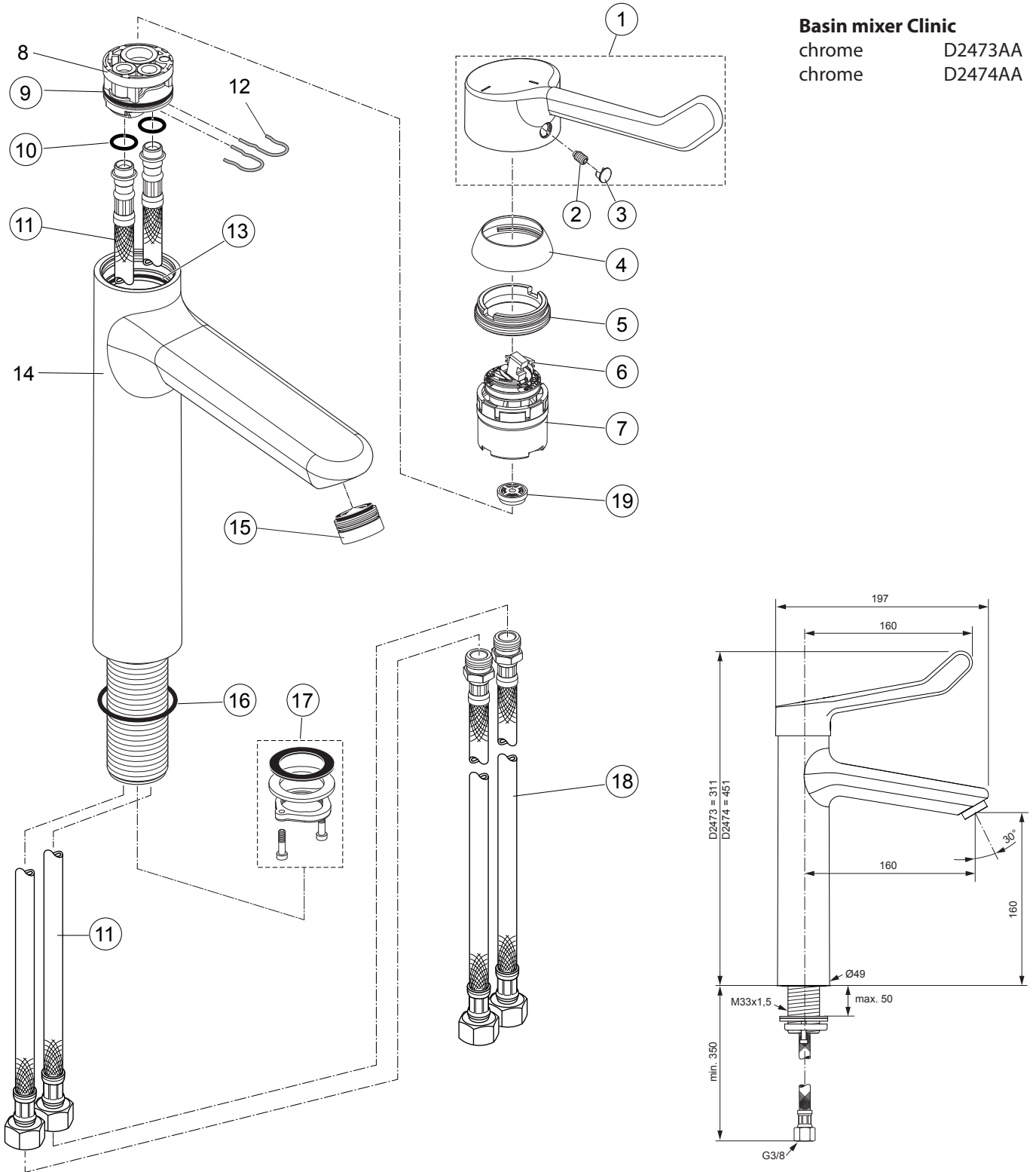


Produced from: March 2017

Basin mixer Clinic
chrome D2473AA
chrome D2474AA



Pos.	Description	Part-Number	Qty.	Pos.	Description	Part-Number	Qty.
1	Handle with Logo Porcher	B 961 433 AA	1 Set	13	O - Ring Ø 38 x 2,5	E 960 059 NU*	1 Set
2	Thread pin M5x8 DIN915	A 963 309 NU	1 pcs	14	Body		
3	Handle plug	B 960 473 AA	1 pcs	15	Aerator M24x1	A 961 625 AA	1 pcs
4	Cover cap	B 961 373 AA	1 pcs	16	O - Ring Ø 36,2 x 2,62	A 962 575 NU	1 pcs
5	Thread ring M36x1 + Key	B 961 374 NU	1 pcs	17	Fixation-Kit	A 960 486 NU*	1 Set
6	Hot limit stop	A 861 181 NU	1 pcs	18	Flex. hose G3/8-DN8-300	A 962 632 NU	1 pcs
7	Cartridge Ø38 + Pos.13 + Key	A 861 156 NU*	1 Set	19	Flow limiter 5L/min	B 961 434 NU	1 pcs
8	Manifold			<i>*Universal set (not all parts needed)</i>			
9	O - Ring Ø 34 x 2	A 960 183 NU	2 pcs				
10	O - Ring Ø 9,5 x 2,5	F 961 122 NU	3 pcs				
11	Flex. hose Ø10,5-G3/8-445	A 962 359 NU	1 pcs				
12	Clip						